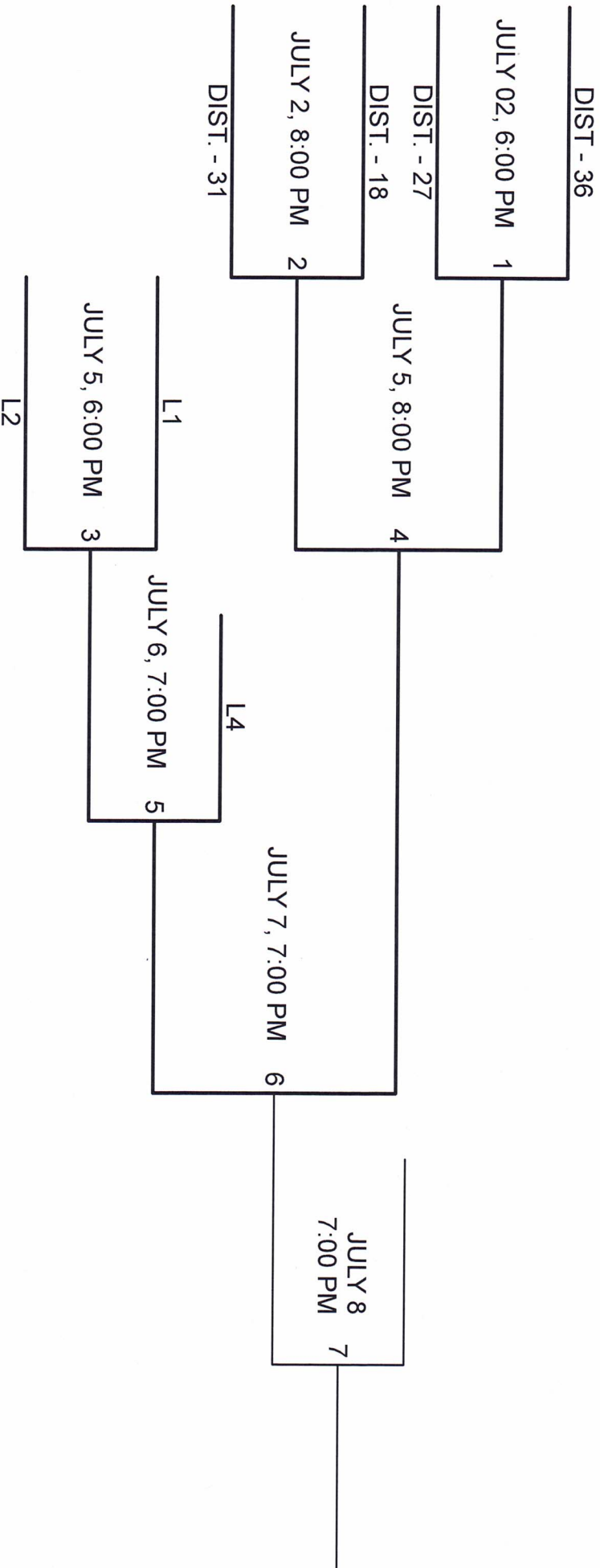


9/10/11 YR. OLD SOFTBALL SECTION 4 - 2023 TOURNAMENT

LITTLE LEAGUE BASEBALL, INC.
TOURNAMENT DIRECTOR:
JOSH HAZELETT
LOCKHART, TX
CELL 512-376-1808

Dates: 07-02-23 to 07-12-23



TEXAS EAST STATE COORDINATOR
JOE PATTERSON SR.
CELL; 830-660-7339

ASSISTANT TOURNAMENT DIR.
MARTIN POORE
210-860-7587

District 29 has no team. 06-16-23

TEXAS EAST STATE 2023 - SECTION 4 CHAMPIONS